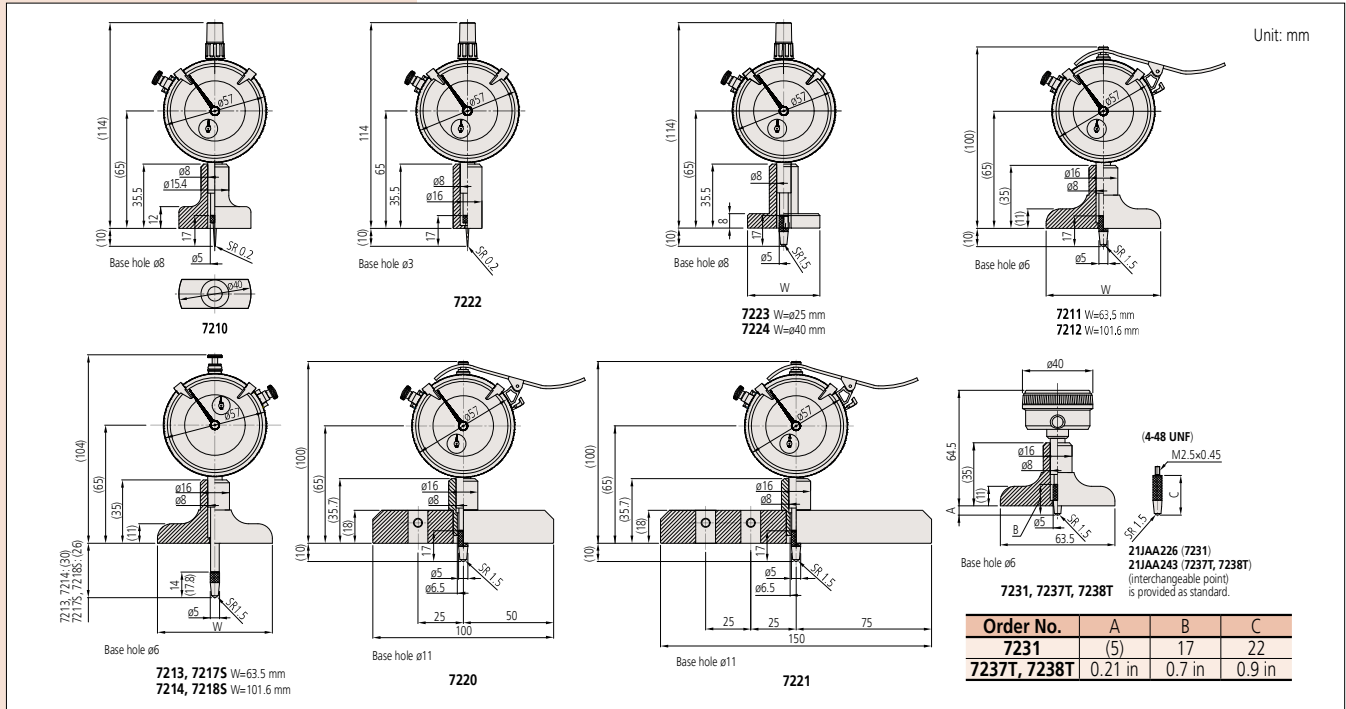


## DIMENSIONS



MeasurLink<sup>®</sup> ENABLED  
Data Management Software by Mitutoyo

Products equipped with the measurement data output function can be connected to the measurement data network system MeasurLink (refer to page A-5 for details).

## ABSOLUTE Digimatic Depth Gage SERIES 547

MeasurLink<sup>®</sup> ENABLED  
Data Management Software by Mitutoyo

- Easy-to-read dial effectively prevents misreading.

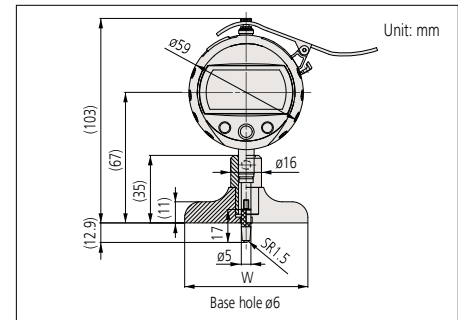
- Allows integration into statistical process control and measurement systems for models with measurement data output connector. (Refer to page A-3.)

ABSOLUTE™



547-211

## DIMENSIONS



## SPECIFICATIONS

Metric												
Order No.	Range (mm)	Resolution (mm)	Stroke (mm)	Accuracy*1 (μm)	Measuring force (N)	Base			Contact point*2	Extension rod*2	Indicator*2	
						W (mm)	T (mm)	flatness (μm)				
<b>547-211</b>	0 - 200	0.01	12.7	±20	1.5	63.5	16	5	Provided with a carbide-tipped ball point (21JAA224)	5 pcs. (10, 20, 30, 30, 100 mm)	<b>543-400B</b>	
101.6						2						
63.5		0.0002										
101.6				0.00008		<b>543-390B</b>						
Inch / Metric												
Order No.	Range (in)	Resolution	Stroke (in)	Accuracy*1 (in)	Measuring force (N)		Base			Contact point*2	Extension rod*2	Indicator*2
							W (in)	T (in)	flatness (in)			
<b>547-217S</b>	0 - 8	0.0005 in/0.01 mm	0.5	±0.001	1.5	2.5	0.63	0.0002	Provided with a carbide-tipped ball point (21JZA242)	4 pcs. (0.5 in, 1 in, 2 in, 4 in)	<b>543-402B</b>	
<b>547-218S</b>						4						0.00008
<b>547-257S</b>		2.5		0.00008								
<b>547-258S</b>		4				0.00008		<b>543-392B</b>				

\*1 Excluding quantizing error of ±1 count

\*2 Refer to corresponding notes on page D-67.