

Depth Gage

A standard measuring tool of industry

Mini Depth Gage SERIES 571

MeasurLink¹ ENABLED
Data Management Software by Mitutoyo

- This is a compact depth gage.
- Enables measurement of depth of tire groove.
- Digital display with 0.01 mm resolution enables measurement without misreading.
- ABSOLUTE Digital Depth Gage.
- Allows integration into statistical process control and measurement systems for models with measurement data output connector. (Refer to page A-3.)
- Battery: SR44 (1 pc), **938882**. For initial operational checks (standard accessory)
- Battery life: Approx. 5 years under normal use.

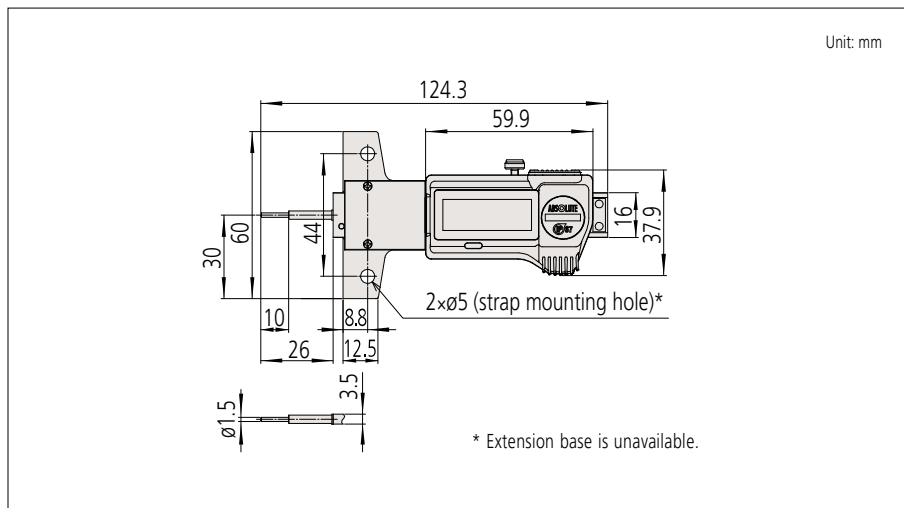


SPECIFICATIONS

Order No.	Range (mm)	Resolution (mm)	Base (mm)	Maximum Permissible Error* (mm)/ <i>E_{MPE}</i>
571-100-20	0 - 25	0.01	60	±0.02

* Maximum Permissible Error, *E_{MPE}*, is the term (notation) used in JIS B 7517: 2018, revised based on ISO/TR 14253-6: 2012.

DIMENSIONS



MeasurLink¹ ENABLED
Data Management Software by Mitutoyo

Products equipped with the measurement data output function can be connected to the measurement data network system MeasurLink (refer to page A-5 for details).

ABSOLUTE™

IP67



Optional Accessories

For details, refer to page A-27.

- Connection cables for **IT/DP/MUX**
 - 05CZA624**: SPC cable with data button (1 m)
 - 05CZA625**: SPC cable with data button (2 m)
- Note: Optional connecting cable is available only for water-proof type.
- USB Input Tool Direct
 - 06AFM380A**: SPC cable for **USB-ITN-A** (2 m)
- Connecting cables for **U-WAVE-T**
 - 02AZD790A**: SPC cable with data button (160 mm)
 - 02AZE140A**: SPC cable for foot switch

Wireless Data Output **U-WAVE™**

- **U-WAVE-TC: 264-620** (IP67 type)
264-621 (Buzzer type)
- **U-WAVE-TCB Transmitter (Mitutoyo Bluetooth® U-WAVE)**
264-624 (IP type)
264-625 (Buzzer type)
- Refer to page A-15 for details.
- Connecting unit for **U-WAVE-TC/TCB**
02AZF310 (IP67 type)
- Note: IP67 model is water/dust-proofed suitable for the factory floor.
- Buzzer type is not water/dust-proofed.
- Refer to pages A-16 and A-18 for details.