

# Micrometer

The origin of Mitutoyo's trustworthy brand of small tool instruments

**MeasurLink** ENABLED  
Data Management Software by Mitutoyo

Products equipped with the measurement data output function can be connected to the measurement data network system MeasurLink (refer to page A-5 for details).

## Outside Micrometers SERIES 406 — Non-Rotating Spindle Type

**MeasurLink** ENABLED  
Data Management Software by Mitutoyo

- Non-rotating spindle.
- Measuring face of the spindle is carbide tipped.
- Spindle  $\phi 6.35$  mm
- Equipped with Ratchet Stop for constant measuring force.



406-250-30

### Metric

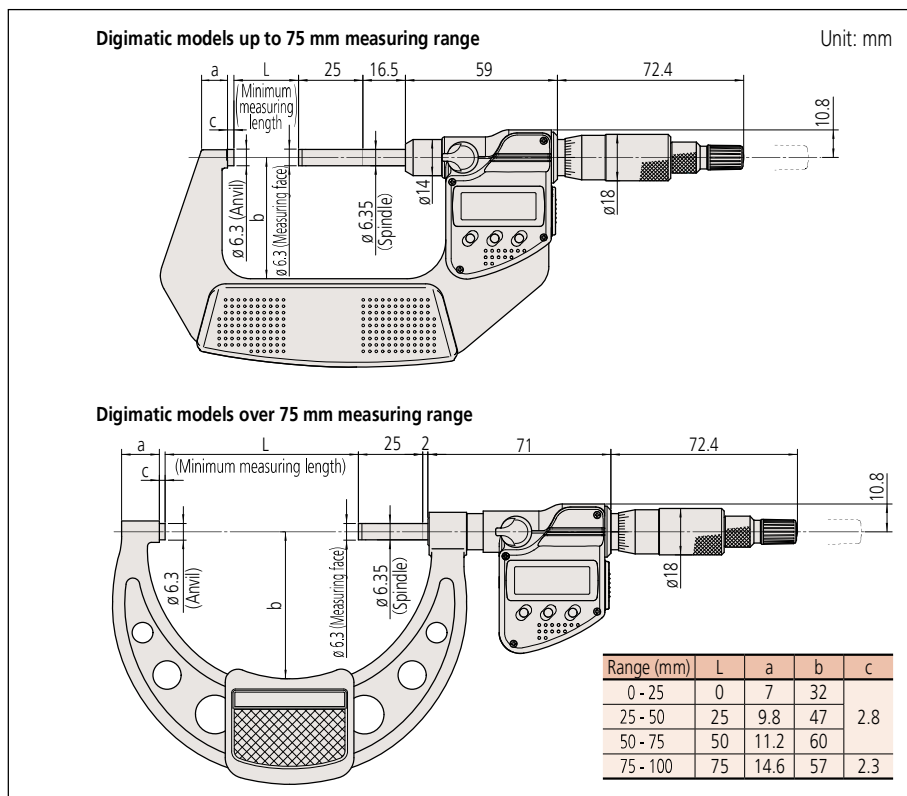
Order No.	Range (mm)	Resolution (mm)	Maximum permissible error $J_{MPE}$ ( $\mu\text{m}$ )	Flatness ( $\mu\text{m}$ )	Parallelism ( $\mu\text{m}$ )
406-250-30	0 - 25	0.001	$\pm 3$	0.3	3
406-251-30	25 - 50				
406-252-30	50 - 75		$\pm 4$		
406-253-30	75 - 100				

Note: For functional details of series 406, refer to page B-8. Please note that these models are not water-proof.

### Inch / Metric

Order No.	Range (in)	Resolution	Maximum permissible error $J_{MPE}$ (in)	Flatness (in)	Parallelism (in)
406-350-30	0 - 1	0.00005 in/ 0.001 mm	$\pm 0.00015$	0.000012	0.00012
406-351-30	1 - 2				
406-352-30	2 - 3		$\pm 0.0002$		
406-353-30	3 - 4				

## DIMENSIONS



### Technical Data

- Battery: SR44 (1 pc.), **938882**, for initial operational checks (standard accessory)
- Battery life: Approx. 2.4 years under normal use
- Length standard: Electromagnetic rotary sensor
- Standard accessories: Reference bar, 1 pc. (except for measuring range 0 to 25 mm (0 to 1 in) models) Spanner (**301336**), 1 pc.

### Optional Accessories

- Connecting cables
  - 1 m: **05CZA662**
  - 2 m: **05CZA663**
- USB Input Tool Direct **USB-ITN-B** (2 m): **06AFM380B**
- **U-WAVE-T** dedicated connection cable
  - 160 mm: **02AZD790B**
  - For foot switch: **02AZE140B**
  - Refer to page A-27 for details.



### Wireless Data Output **U-WAVE**

- **U-WAVE-TM 264-622** (IP67 type) **264-623** (Buzzer type)
  - **U-WAVE-TMB** Transmitter **Mitutoyo Bluetooth® U-WAVE 264-626** (IP type) **264-627** (Buzzer type)
  - Connecting unit for **U-WAVE-TM/TMB 02AZF310** (IP67/buzzer type common specification)
- Refer to pages A-16 and A-18 for details.