

Depth Gage

ABSOLUTE Digimatic Depth Gage SERIES 571

- Coolant proof models achieve IP67 protection level.
- Enables stable depth measurement with a resolution of 0.01 mm.
- Allows integration into statistical process control and measurement systems for models with measurement data output connector. (Refer to page A-3.)
- Optional longer extension bases are available. (Refer to page D-76.)



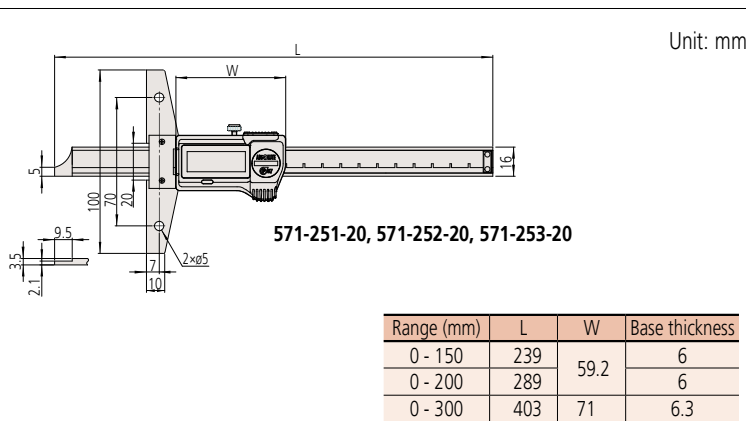
571-252-20

SPECIFICATIONS

Metric				
Order No.	Range (mm)	Resolution (mm)	Base (WxT) (mm)	Maximum permissible error E_{MPE} (mm)*
571-251-20	0 - 150	0.01	100x6	±0.02
571-252-20	0 - 200			
571-253-20	0 - 300		100x6.3	
Inch / Metric				
Order No.	Range (in)	Resolution	Base (WxT) (in)	Maximum permissible error E_{MPE} (in)*
571-261-20	0 - 6	0.0005 in/ 0.01mm	3.93x0.23	±0.001 in/±0.02 mm
571-262-20	0 - 8			
571-263-20	0 - 12		3.93x0.25	

- Battery: SR44 (1 pc.), **938882**. For initial operational checks (standard accessory).
- Battery life: Approx. 5 years
- * Maximum permissible error, E_{MPE} , is the term (notation) used in JIS B 7518: 2018, revised based on ISO/TR 14253-6: 2012.

DIMENSIONS



Measurement example



Optional Accessories

Order No.	Type	Description
05CZA624	A	Connecting cable (1 m)
05CZA625	A	Connecting cable (2 m)
06AFM380A	A	USB Input Tool Direct (2 m)
02AZD790A	A	Connecting cables for U-WAVE-T (160 mm)
02AZE140A	A	Connecting cables for U-WAVE-T For foot switch
02AZE140C	C	Connecting cables for U-WAVE-T For foot switch
264-620	IP67	U-WAVE-TC
264-621	Buzzer	U-WAVE-TC
264-624	IP67	U-WAVE-TCB Transmitter
264-625	Buzzer	U-WAVE-TCB Transmitter
02AZF310	IP67	Connecting unit for U-WAVE-TC/TCB

ABSOLUTE Digimatic Depth Gage SERIES 571

- Enables stable depth measurement with a resolution of 0.01 mm.
- Allows integration into statistical process control and measurement systems for models with measurement data output connector. (Refer to page A-3.)
- Optional longer extension bases are available. (Refer to page D-76.)



Optional Accessories

Order No.	Type	Description
959149	C	Connecting cable (1 m)
959150	C	Connecting cable (2 m)
06AFM380C	C	USB Input Tool Direct (2 m)
02AZD790C	C	Connecting cables for U-WAVE-T (160 mm)
02AZE140A	A	Connecting cables for U-WAVE-T For foot switch
02AZE140C	C	Connecting cables for U-WAVE-T For foot switch
264-620	IP67	U-WAVE-TC
264-621	Buzzer	U-WAVE-TC*
264-624	IP67	U-WAVE-TCB Transmitter
264-625	Buzzer	U-WAVE-TCB Transmitter*
02AZF310	IP67	Connecting unit for U-WAVE-TC/TCB

* Cannot be used with 571-20X-10 and 571-21X-10.

SPECIFICATIONS

Metric					
Order No.	Range (mm)	Resolution (mm)	Battery life	Base (WxT) (mm)	Maximum permissible error E_{MPE} (mm)*1
571-201-30	0 - 150	0.01	Approx. 5 years	100x6	±0.02
571-202-30	0 - 200			100x6.3	±0.03
571-203-30	0 - 300			100x6.3	±0.03
571-204-10*2	0 - 450	0.01	Approx. 3 years	250x10	±0.05
571-205-10*2	0 - 600				±0.06
571-206-10*2	0 - 750				±0.06
571-207-10*2	0 - 1000				±0.07

Inch/Metric					
Order No.	Range (in)	Resolution	Battery life	Base (WxT) (in)	Maximum permissible error E_{MPE} (in)*1
571-211-30	0 - 6	0.0005 in/ 0.01mm	Approx. 5 years	3.93x0.23	±0.001 in/±0.02 mm
571-212-30	0 - 8			3.93x0.25	±0.0015 in/±0.03 mm
571-213-30	0 - 12			3.93x0.25	±0.0015 in/±0.03 mm
571-214-10*2	0 - 18	0.0005 in/ 0.01mm	Approx. 3 years	9.8x0.39	±0.002 in/±0.05 mm
571-215-10*2	0 - 24				±0.0025 in/±0.06 mm
571-216-10*2	0 - 30				±0.0025 in/±0.06 mm
571-217-10*2	0 - 40				±0.0025 in/±0.07 mm

• Battery: SR44 (1 pc.), 938882. For initial operational checks (standard accessory).

*1 Maximum permissible error, E_{MPE} , is the term (notation) used in JIS B 7518: 2018, revised based on ISO/TR 14253-6: 2012.

*2 Cannot be used with U-WAVE-TC

DIMENSIONS

Unit: mm

Range (mm)	L	W	Base thickness
0 - 150	239	59.2	6
0 - 200	289		6
0 - 300	403	71	6.3
0 - 450	635		10
0 - 600	785	94	10
0 - 750	935		10
0 - 1000	1200		10

571-201-30, 571-202-30, 571-203-30

571-204-10, 571-205-10, 571-206-10, 571-207-10