



## ABSOLUTE Digimatic Indicator ID-C SERIES 543 — Bore Gage Type

### Functions

- Minimum value detection
- Note: Peak detection
  - 1) Sampling rate: 50 readings/s
  - 2) Capturing speed: 50 μm/s (max.)
- Preset (3 Preset values can be stored)
- Tolerance judgment (3 sets of upper and lower limits can be stored)
- Resolution selection
- Analog bar resolution selection
- Key lock
- Display hold (when no external device is connected)
- Data saving/calling (when no external device is connected)
- Data output
- External PC setting input
- Display rotation (330°)
- Low battery voltage alarm display
- Error alarm display

### Optional Accessories

- SPC Cable:
    - 905338 (1 m)
    - 905409 (2 m)
  - USB Input Tool Direct (2 m): 06AFM380F
  - Input Tool Series
    - IT-020U (USB Keyboard Signal Conversion Type): 264-020
    - IT-007R (RS-232C Communication Conversion Type): 264-007
  - Connecting Cables for U-WAVE-T (160 mm): 02AZD790F
  - For foot switch: 02AZE140F
  - Digimatic Mini-Processor DP-1VA LOGGER: 264-505
  - Parameter setup kit: 21EZA313
- Note: Parameter setting software (can be downloaded for free from the Mitutoyo website) is also required.

### The ABSOLUTE Digimatic Bore Gage



ABSOLUTE Digimatic Bore Gages, which integrate the display with a bore gage measuring unit, are also available. Refer to pages C-47 and C-48 for details.



- Dedicated to inside measurement with minimum-value Hold and tolerance judgment functions\*1. Use together with a Mitutoyo bore gage (refer to pages C-29 to C-46 for details).
  - Five buttons, status icons, and clear button indications allow for easy operation of a wide variety of functions.
  - Wide LCD and new analog bar graph are now standard on all models.
  - Can store up to three sets of master reference values and tolerances, alleviating the need for multiple settings to master gages.
  - The ABS (absolute) scale restores the last origin position\*2 automatically when the indicator is turned on, and realizes high reliability by eliminating over-speed errors.
  - By using the parameter setup kit (optional) and the dedicated software, the functions and the parameters can be configured using a computer.
  - Equipped with a data output port that enables incorporation into measurement networking and statistical process control systems. (Refer to page A-3)
- \*1 Tolerance judgment results cannot be output.  
\*2 Refer to "Origin Setting of Digimatic Indicators" on page F-25.



543-310B-10

Typical application  
The Bore Gage  
is optional.

### SPECIFICATIONS

		Metric		Maximum permissible error (mm)			Measuring force MPL (N)	Power supply	Battery life (normal use)*2	Net mass (g)
Order No.	Range (mm)	Resolution (mm)	MPE <sub>E</sub> *1	Hysteresis MPE <sub>H</sub>	Repeatability MPE <sub>R</sub>					
543-310B-10	12.7	0.001/0.01 (selectable)	0.003	0.002	0.002	1.5 or less	CR2032 x1 pc.	Approx. 1 year	170	

		Inch/Metric		Maximum permissible error			Measuring force MPL (N)	Power supply	Battery life (normal use)*2	Net mass (g)
Order No.	Range	Resolution	MPE <sub>E</sub> *1	Hysteresis MPE <sub>H</sub>	Repeatability MPE <sub>R</sub>					
543-311B-10	0.5 in/ 12.7 mm	0.00005/0.0001/ 0.0005 in,	±0.00010 in /0.003 mm	0.00010 in /0.002 mm	0.00010 in /0.002 mm	1.5 or less	CR2032 x1 pc.	Approx. 1 year	170	
543-312B-10		0.001/0.01 mm (selectable)								

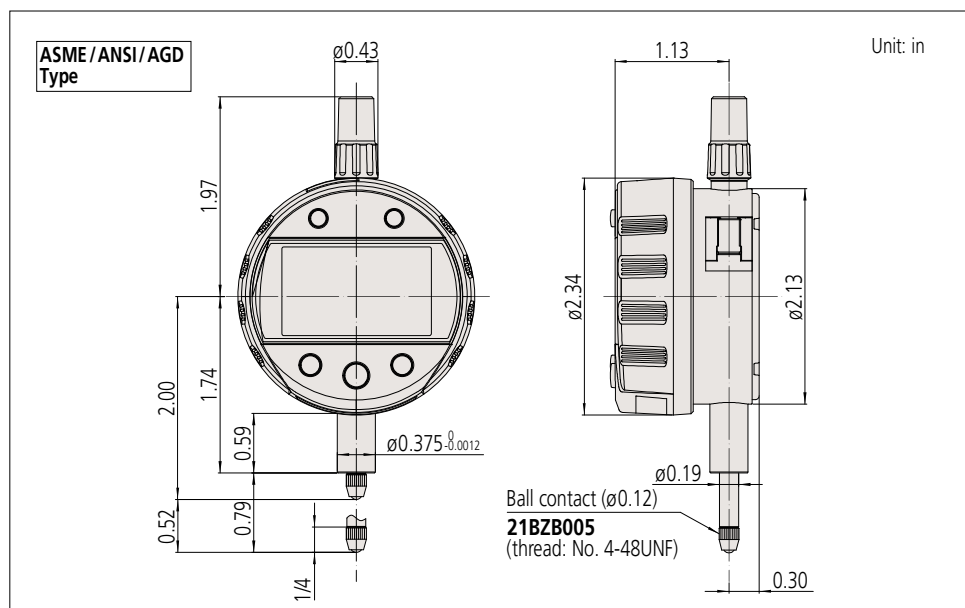
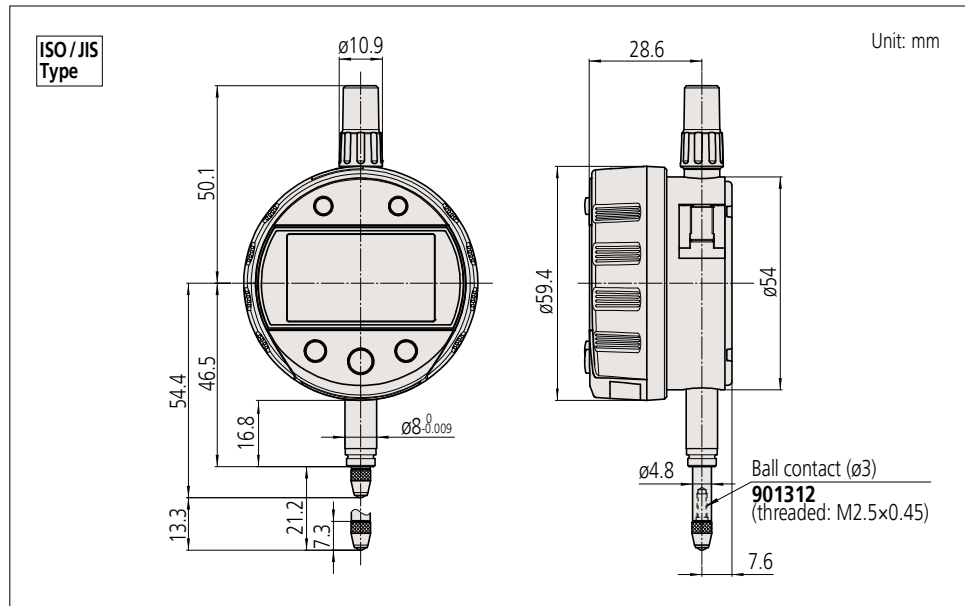
\*1 Error of indication for the total measuring range

\*2 Applies only if not connected to a data processor. Battery life depends on use of the indicator. Use the above value as a guide only.

Note: Flat-back type only.

# Digimatic Indicators

## DIMENSIONS



F