

Digit Outside Micrometers SERIES 193

Measurement example



- 193-901**
- Range: 0 - 75 mm
 - Graduation: 0.001 mm
 - Models included: **193-101, 193-102, 193-103**
2 micrometer standards



- 193-902**
- Range: 0 - 100 mm
 - Graduation: 0.001 mm
 - Models included: **193-101, 193-102, 193-103, 193-104**
3 micrometer standards

- Mechanical digit counter with 0.01 mm or 0.001 in resolution for quick and error-free reading.
- Measuring faces: Carbide.
- Equipped with Ratchet Stop for constant measuring force.



193-101

SPECIFICATIONS

Metric With ratchet stop						
Order No.	Range (mm)	Maximum permissible error J_{MPE} (μm)	Flatness (μm)	Parallelism (μm)	Graduation (mm)	
193-111	0 - 25	±2	0.6	2	0.001 (reading is obtained with vernier)	
193-112	25 - 50					
193-113	50 - 75					
193-114	75 - 100	±3		3		
193-101	0 - 25	±2		0.6	2	0.01
193-102	25 - 50					
193-103	50 - 75					
193-104	75 - 100	±3	3			

Inch With friction thimble					
Order No.	Range (in)	Maximum permissible error J_{MPE} (in)	Flatness (in)	Parallelism (in)	Graduation (in)
193-211	0 - 1	±0.0001	0.000024	0.00008	0.0001
193-212	1 - 2				

Inch With ratchet stop					
Order No.	Range (in)	Maximum permissible error J_{MPE} (in)	Flatness (in)	Parallelism (in)	Graduation (in)
193-213	2 - 3	±0.0001	0.000024	0.00008	0.0001
193-214	3 - 4	±0.00015		0.00012	

Metric Micrometer set				
Order No.	Range (mm)	Models included	Flatness (μm)	Parallelism (μm)
193-901	0 - 75 (3 pcs./set)	• 193-101, 193-102, 193-103 • 2 micrometer standards	0.6	2
193-902	0 - 100 (4 pcs./set)	• 193-101, 193-102, 193-103, 193-104 • 3 micrometer standards		3

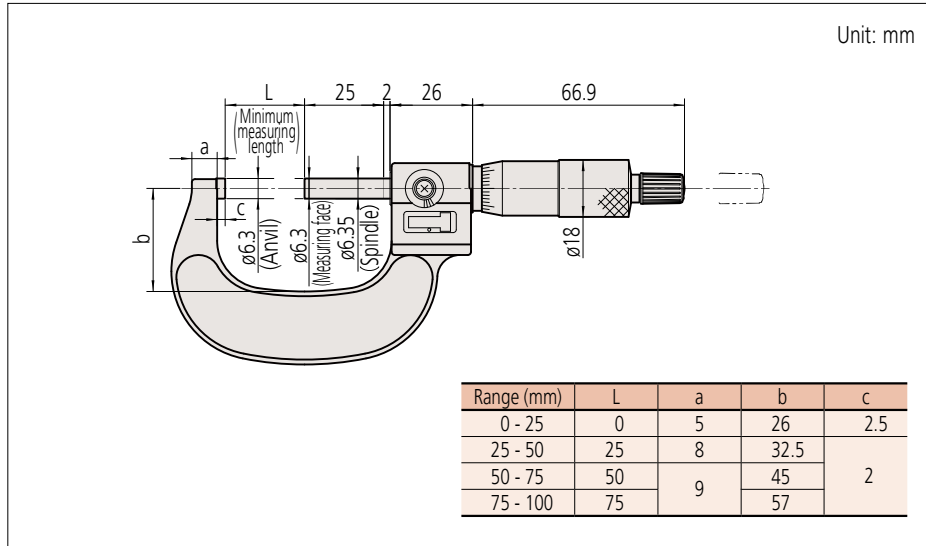
Inch Micrometer set				
Order No.	Range (in)	Models included	Flatness (in)	Parallelism (in)
193-923	0 - 3 (3 pcs./set)	• 193-211, 193-212, 193-213 • 2 micrometer standards	0.000024	0.00008

• Standard accessories: Setting standard, 1 pc. (except for measuring range 0 to 25 mm (0 to 1 in) models), Spanner (301336), 1 pc.

Micrometer

Digit Outside Micrometers SERIES 193

DIMENSIONS



DIMENSIONS

