

### Disk Micrometers SERIES 223, 123

- Measures “root tangent length” of spur gears and helical gears.
- Determination of the root tangent length: refer to “Quick Guide to Precision Measuring Instruments” on page B-80.
- Equipped with Ratchet Stop for constant measuring force.
- Supplied with a setting standard (except for 0 to 25 mm/0 to 1 in measuring range).



123-101

### SPECIFICATIONS

Metric							
Order No.	Range (mm)	Graduation (mm)	Maximum permissible error $J_{MPE}$ ( $\mu$ m)	Flatness ( $\mu$ m)	Parallelism ( $\mu$ m)	Anvil dia. (mm)	Measurable module
Mechanical counter model							
223-101	0 - 25	0.01	±4	1	4	ø20	0.5 - 6
223-102	25 - 50						
Analog							
123-101	0 - 25	0.01	±4	1	4	ø20	0.5 - 6
123-113*							
123-102	25 - 50		±6	1.6	6	ø30	0.7 - 11
123-114*							
123-103	50 - 75		±7	1.6	7	ø30	0.7 - 11
123-115*							
123-104	75 - 100		±8	1.6	8	ø30	0.7 - 11
123-116*							
123-105	100 - 125		±9	1.6	9	ø30	0.7 - 11
123-106	125 - 150						
123-107	150 - 175	±9	1.6	9	ø30	0.7 - 11	
123-108	175 - 200						
123-109	200 - 225	±9	1.6	9	ø30	0.7 - 11	
123-110	225 - 250						
123-111	250 - 275	±9	1.6	9	ø30	0.7 - 11	
123-112	275 - 300						

Inch							
Order No.	Range (in)	Graduation (in)	Maximum permissible error $J_{MPE}$ (in)	Flatness (in)	Parallelism (in)	Anvil dia. (in)	Measurable module
Mechanical counter model							
223-125	0 - 1	0.001	±0.0002	0.00004	0.0002	0.787	0.5 - 6
Analog							
123-125	0 - 1	0.001	±0.0002	0.00004	0.0002	0.787	0.5 - 6
123-126	1 - 2				0.0002		
123-127	2 - 3		±0.0003		0.0003		
123-128	3 - 4				0.0003		

\* The measuring disks have carbide tips.  
 • Standard accessories: Setting standard, 1 pc. (except for measuring range 0 to 25 mm (0 to 1 in) models), Spanner (301336), 1 pc.  
 Note: Root tangent length measurement is not available for some types of gears.

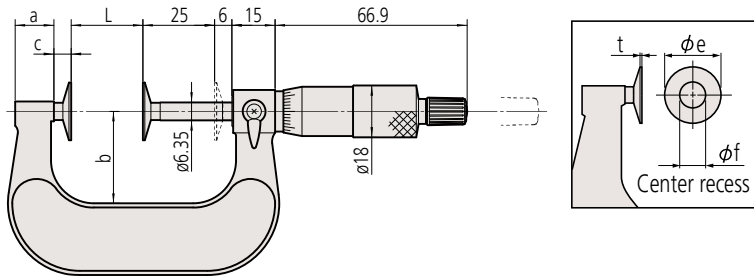
# Micrometer

## Disk Micrometers SERIES 223, 123

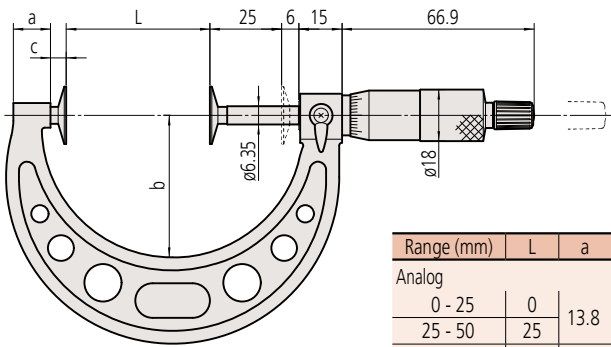
### DIMENSIONS

Analog models up to 50 mm measuring range

Unit: mm



Analog models over 50 mm measuring range



Range (mm)	L	a	b	c	e	f	t
Analog							
0 - 25	0	13.8	25	5.7	20	8 (9.8)	0.7 (0.7)
25 - 50	25		32				
50 - 75	50	12	49	5.5	30	12	1
75 - 100	75	14	63				
100 - 125	100	12	79	6	30	12	1
125 - 150	125	14.5	94				
150 - 175	150	15.2	106	6	30	12	1
175 - 200	175	14.5	118				
200 - 225	200	13.5	130	6	30	12	1
225 - 250	225		143				
250 - 275	250	14.5	156	6	30	12	1
275 - 300	275		169				

Note: Data in ( ) applies to those with carbide-faced disks.