

Micrometer

Disk Micrometers SERIES 323

- Measures "root tangent length" of spur gears and helical gears.
- Determination of the root tangent length: refer to "Quick Guide to Precision Measuring Instruments" on page B-80.
- Equipped with Ratchet Stop for constant measuring force.
- Supplied with a setting standard (except for 0 to 25 mm/0 to 1 in measuring range).



323-250-30

SPECIFICATIONS

Metric

Order No.	Range (mm)	Resolution (mm)	Maximum permissible error J_{MPE} (μ m)	Flatness (μ m)	Parallelism (μ m)	Anvil dia. (mm)	Measurable module
Digimatic (LCD)							
323-250-30	0 - 25	0.001	± 4	1	4	$\varnothing 20$	0.5 - 6
323-251-30	25 - 50						
323-252-30	50 - 75		± 6				
323-253-30	75 - 100						

Inch / Metric

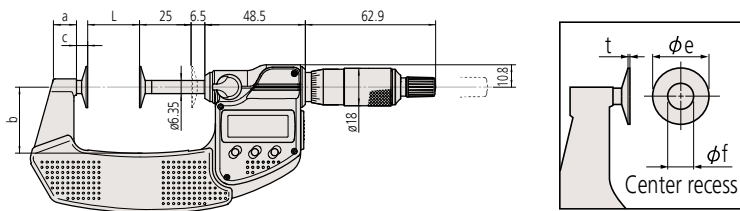
Order No.	Range (in)	Resolution	Maximum permissible error J_{MPE} (in)	Flatness (in)	Parallelism (in)	Anvil dia. (in)	Measurable module
Digimatic (LCD)							
323-350-30	0 - 1	0.00005 in / 0.001 mm	± 0.0002	0.00004	0.0002	0.787	0.5 - 6
323-351-30	1 - 2						
323-352-30	2 - 3		± 0.0003				
323-353-30	3 - 4						

- Battery: SR44 (1 pc.), **938882**, for initial operational checks (standard accessory)
 - Battery life: Approx. 2.4 years under normal use
 - Length standard: Electromagnetic rotary sensor
 - Standard accessories: Setting standard, 1 pc. (except for measuring range 0 to 25 mm (0 to 1 in) models), Spanner (**301336**), 1 pc.
- Note 1: Root tangent length measurement is not available for some types of gears.
 Note 2: For functional details, refer to page B-7.
 Optional connecting cable is available only for water-proof type (Digimatic model).

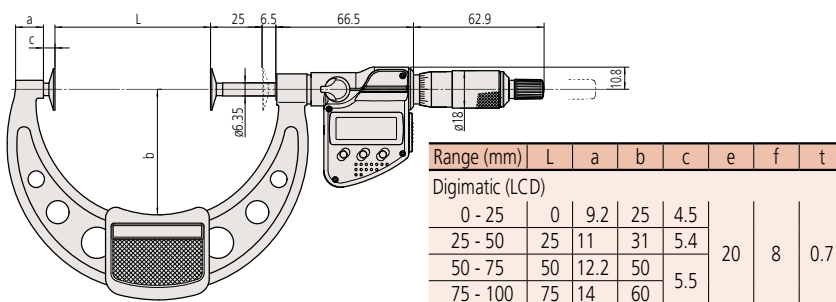
DIMENSIONS

Digimatic models up to 75 mm measuring range

Unit: mm



Digimatic models up to 100 mm measuring range



MeasurLink[®] ENABLED
Data Management Software by Mitutoyo

U-WAVE^{fit}

IP65

TUV Rheinland
CERTIFIED

Dust and
Water-
Protected
www.tuv.com
D 3000910191

Measurement example



Optional Accessories

Order No.	Type	Description
05CZA662	B	Connecting cable (1 m)
05CZA663	B	Connecting cable (2 m)
06AFM380B	B	USB Input Tool Direct (2 m)
02AZD790B	B	Connecting cables for U-WAVE-T (160 mm)
02AZE140B	B	Connecting cables for U-WAVE-T For foot switch
264-622	IP67	U-WAVE-TM
264-623	Buzzer	U-WAVE-TM
264-626	IP67	U-WAVE-TMB
264-627	Buzzer	U-WAVE-TMB
02AZF310	IP67/ buzzer	Connecting unit for U-WAVE-TM/TMB