

Depth Gage

Mini Depth Gage SERIES 571

- Enables measurement of depth of tire tread.
- ABSOLUTE Digital Depth Gage.
- Allows integration into statistical process control and measurement systems for models with measurement data output connector. (Refer to page A-3.)
- Digital display with 0.01 mm resolution enables measurement without misreading.



571-100-20

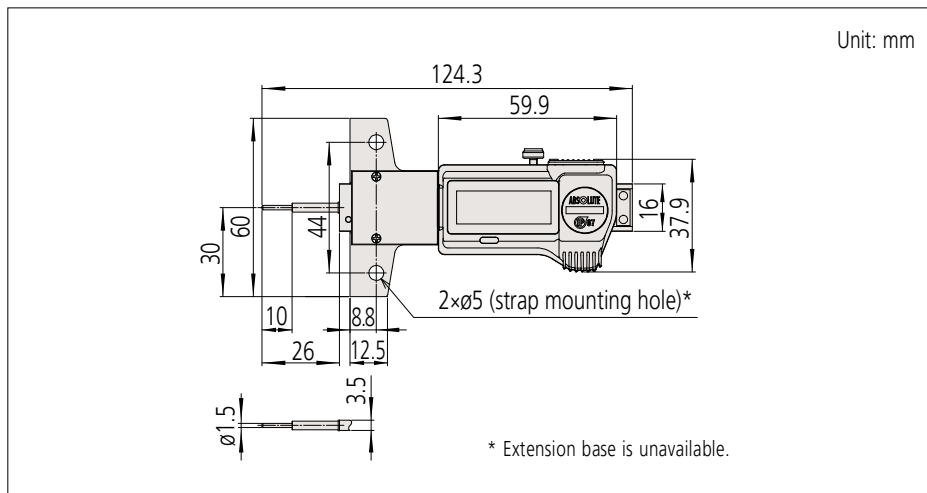
SPECIFICATIONS

Metric				
Order No.	Range (mm)	Resolution (mm)	Base (mm)	Maximum permissible error E_{MPE} (mm)*
571-100-20	0 - 25	0.01	60 (thickness 6.65)	±0.02

Inch / Metric				
Order No.	Range (in)	Resolution (in)	Base (in)	Maximum permissible error E_{MPE} (in)*
571-200-20	0 - 1	0.0005	2.36	±0.001

- Battery: SR44 (1 pc.), **938882**. For initial operational checks (standard accessory)
- Battery life: Approx. 5 years under normal use.
- * Maximum permissible error, E_{MPE} , is the term (notation) used in JIS B 7518: 2018, revised based on ISO/TR 14253-6: 2012.

DIMENSIONS



Measurement example



Optional Accessories

Order No.	Type	Description
05CZA624	A	Connecting cables for IT/DP/MUX (1 m)
05CZA625	A	Connecting cables for IT/DP/MUX (2 m)
06AFM380A	A	USB Input Tool Direct (2 m)
02AZD790A	A	Connecting cables for U-WAVE-T (160 mm)
02AZE140A	A	Connecting cables for U-WAVE-T For foot switch
264-620	IP67	U-WAVE-TC
264-621	Buzzer	U-WAVE-TC
264-624	IP67	U-WAVE-TCB Transmitter
264-625	Buzzer	U-WAVE-TCB Transmitter
02AZF310	IP67	Connecting unit for U-WAVE-TC/TCB