

## Outside Micrometers SERIES 104 — with Interchangeable Anvils

- Wide measuring range with interchangeable anvils.
- Measuring face of the spindle is carbide tipped (standard model).
- Equipped with Ratchet Stop for constant measuring force.



104-136

### SPECIFICATIONS

Metric											
Order No.	Range (mm)	Graduation (mm)	Spindle feed error (μm)	Flatness (μm)	Parallelism (μm)	Interchangeable anvils	Setting Qty	Standard Size (mm)	Micrometer head stroke (mm)		
Analog											
104-171*	0 - 50	0.01	3	0.6	2	1 pc.	1	25	25		
104-139A	0 - 100				3	4 pcs.	3	25 - 75			
104-135A	0 - 150				3	6 pcs.	5	25 - 125			
104-161A	50 - 150				4	4 pcs.	4	50 - 125			
104-140A	100 - 200				4	6 pcs.	6	100 - 175			
104-136A	150 - 300				5	6 pcs.	6	150 - 275			
104-141A	200 - 300			1.0	6	4 pcs.	4	200 - 275			
104-142A	300 - 400				7			300 - 375			
104-143A	400 - 500				8			400 - 475			
104-144A	500 - 600				9			500 - 575			
104-145A	600 - 700				10			600 - 675			
104-146A	700 - 800				11			700 - 775			
104-147A	800 - 900	12	800 - 875								
104-148A	900 - 1000	12	900 - 975								
Inch											
Order No.	Range (in)	Graduation (in)	Spindle feed error (in)	Flatness (in)	Parallelism (in)	Interchangeable anvils	Setting Qty	Standard Size (in)	Micrometer head stroke (in)		
Analog											
104-165	0 - 2	0.0001	0.00015	0.000024	0.00008	1 pc.	1	1	1		
104-149	0 - 4				0.00012	4 pcs.	3	1 - 3			
104-137	0 - 6				0.00012	6 pcs.	5	1 - 5			
104-162	2 - 6				0.00016	4 pcs.	4	2 - 5			
104-150	4 - 8				0.00016	6 pcs.	6	4 - 7			
104-138	6 - 12				0.0002	4 pcs.	4	6 - 11			
104-151	8 - 12			0.00004	0.00024	4 pcs.	4	8 - 11			
104-152	12 - 16				0.00024			6 pcs.		6	12 - 15
104-201	12 - 18				0.00024			6 pcs.		6	12 - 17
104-153	16 - 20				0.00028			4 pcs.		4	16 - 19
104-202	18 - 24				0.00032			6 pcs.		6	18 - 23
104-154	20 - 24				0.00032			4 pcs.		4	20 - 23
104-155	24 - 28	0.0004	0.00036	4 pcs.	4	24 - 27					
104-203	24 - 30		0.00036			6 pcs.	6	24 - 29			
104-156	28 - 32		0.0004			4 pcs.	4	28 - 31			
104-204	30 - 36		0.0004			6 pcs.	6	30 - 35			
104-157	32 - 36		0.00044			4 pcs.	4	32 - 35			
104-158	36 - 40		0.00044			4 pcs.	4	36 - 39			
104-205	36 - 42	0.00048	6 pcs.	6	36 - 41						

\* The frame is fitted with a heat shield.

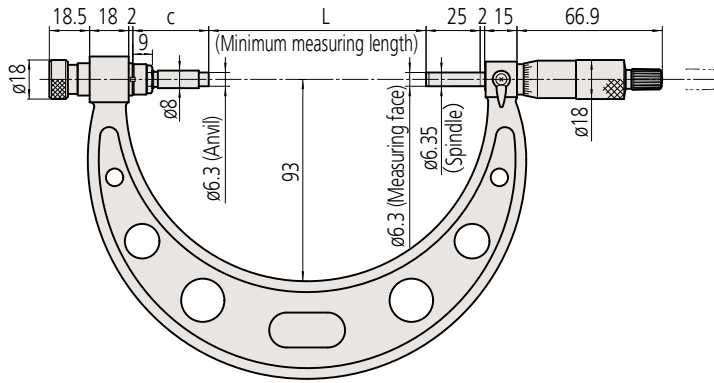
# Micrometer

## Outside Micrometers SERIES 104 — with Interchangeable Anvils

### DIMENSIONS

Unit: mm

104-135A



#### Interchangeable Anvil

		L: Range (mm)					
Range	0 - 150 mm models	0 - 25	25 - 50	50 - 75	75 - 100	100 - 125	125 - 150
Range	150 - 300 mm models	150 - 175	175 - 200	200 - 225	225 - 250	250 - 275	275 - 300
	<b>Order No.</b>	<b>303950</b>	<b>303951</b>	<b>303952</b>	<b>303953</b>	<b>303954</b>	<b>303955</b>
	c: Overall length (mm)	135	110	85	60	35	10
	Interchangeable anvil	M1	M2	M3	M4	M5	M6

		L: Range (mm)			
Range	300 - 400 mm models	300 - 325	325 - 350	350 - 375	375 - 400
Range	400 - 500 mm models	400 - 425	425 - 450	450 - 475	475 - 500
Range	500 - 600 mm models	500 - 525	525 - 550	550 - 575	575 - 600
Range	600 - 700 mm models	600 - 625	625 - 650	650 - 675	675 - 700
Range	700 - 800 mm models	700 - 725	725 - 750	750 - 775	775 - 800
Range	800 - 900 mm models	800 - 825	825 - 850	850 - 875	875 - 900
Range	900 - 1000 mm models	900 - 925	925 - 950	950 - 975	975 - 1000
	<b>Order No.</b>	<b>304001</b>	<b>304002</b>	<b>304003</b>	<b>304004</b>
	c: Overall length (mm)	87	62	37	12
	Interchangeable anvil	M3	M4	M5	M6