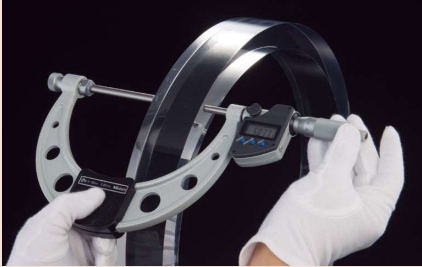




Applicable models:  
340-251-30, 340-252-30, 340-351-30, 340-352-30

Measurement example



Optional Accessories

Order No.	Type	Description
05CZA662	B	Connecting cables for 340-251-30, 340-252-30, 340-351-30 and 340-352-30 (1 m)
05CZA663	B	Connecting cables for 340-251-30, 340-252-30, 340-351-30 and 340-352-30 (2 m)
06AFM380B	B	USB Input Tool Direct (2 m)
02AZD790B	B	Connecting cables for U-WAVE-T (160 mm)
02AZE140B	B	Connecting cables for U-WAVE-T For foot switch
264-622	IP67	U-WAVE-TM*
264-623	Buzzer	U-WAVE-TM*
264-626	IP67	U-WAVE-TMB*
264-627	Buzzer	U-WAVE-TMB*
02AZF310	IP67/ buzzer	Connecting unit for U-WAVE-TM/TMB*
04AZB512	CR	Connecting cables (1 m) for 340-5XX, 340-7XX
04AZB513	CR	Connecting cables (2 m) for 340-5XX, 340-7XX
959149	C	Connecting cables (1 m) for 340-5XX, 340-7XX
959150	C	Connecting cables (2 m) for 340-5XX, 340-7XX

\* Only 340-251-30, 340-252-30, 340-351-30 and 340-352-30 can be attached.

Outside Micrometers  
SERIES 340 — with Interchangeable Anvils

- Wide measuring range with interchangeable anvils.
- Measuring face of the spindle is carbide tipped (standard model).
- IP 65 water/dust protection (340-251-30, 340-252-30, 340-351-30, 340-352-30).
- Equipped with Ratchet Stop for constant measuring force.



SPECIFICATIONS

Metric									
Order No.	Range (mm)	Resolution (mm)	Spindle feed error (µm)	Flatness (µm)	Parallelism (µm)	Interchangeable anvils	Setting Qty	Standard Size (mm)	Micrometer head stroke (mm)
Digimatic (LCD)									
340-251-30	0 - 75	0.001	3	0.6	2	6 pcs.	5	25 - 125	25
	75 - 150								
340-252-30	150 - 300	0.001	3	1.0	3	4 pcs.	4	300 - 375	25
340-520	300 - 400								
340-521	400 - 500								
340-522	500 - 600								
340-523	600 - 700								
340-524	700 - 800								
340-525	800 - 900								
340-526	900 - 1000								

Inch / Metric													
Order No.	Range (in)	Resolution	Spindle feed error (in)	Flatness (in)	Parallelism (in)	Interchangeable anvils	Setting Qty	Standard Size (in)	Micrometer head stroke (in)				
Digimatic (LCD)													
340-351-30	0 - 6	0.00005 in/ 0.001 mm	0.00015	0.000024	0.00012	6 pcs.	5	1 - 5	1				
340-352-30	6 - 12	0.0001 in/ 0.001 mm											
340-720	12 - 18									0.00004			
340-721	18 - 24										0.00026		
340-722	24 - 30											0.00032	
340-723	30 - 36												0.00038

- Battery for series 340  
340-251-30, 340-252-30, 340-351-30, 340-352-30: SR44 (1 pc.)  
340-520 to 340-526 340-720 to 340-723: SR44 (2 pcs.)  
938882, for initial operational checks (standard accessory)
  - Battery life: Approx. 2.4 years under normal use (for 340-2XX, 340-3XX)  
Approx. 1.8 years under normal use (for 340-5XX, 340-7XX)
  - Length standard: Electromagnetic rotary sensor (for series 340)
  - Standard accessories: Spanner (301336), 1 pc.  
(for maximum measuring range up to 300 mm (12 in)), Spanner (200154), 1 pc.  
(for maximum measuring range 400 mm (16 in) or over)
- Note 1: For functional details of 340-251-30, 340-252-30, 340-351-30, 340-352-30, refer to page B-7.  
Please note that origin setting of these models is by presetting.  
Optional connecting cable is available only for water-proof type (Digimatic model).
- Note 2: For functional details of 340-520 to 340-723, refer to page B-9.

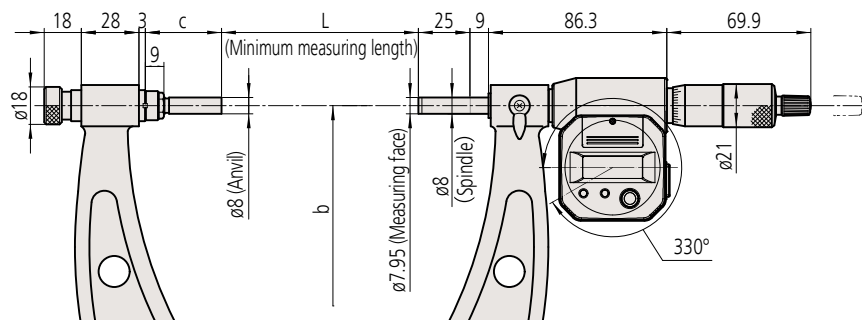
# Micrometer

## Outside Micrometers SERIES 340 — with Interchangeable Anvils

### DIMENSIONS

Over 400 mm up to 1000 mm

Unit: mm



		L: Range (mm)				b
Range	300 - 400 mm models	300 - 325	325 - 350	350 - 375	375 - 400	224
Range	400 - 500 mm models	400 - 425	425 - 450	450 - 475	475 - 500	273
Range	500 - 600 mm models	500 - 525	525 - 550	550 - 575	575 - 600	332
Range	600 - 700 mm models	600 - 625	625 - 650	650 - 675	675 - 700	382
Range	700 - 800 mm models	700 - 725	725 - 750	750 - 775	775 - 800	430
Range	800 - 900 mm models	800 - 825	825 - 850	850 - 875	875 - 900	480
Range	900 - 1000 mm models	900 - 925	925 - 950	950 - 975	975 - 1000	530
<b>Order No.</b>	<b>304001</b>	<b>304002</b>	<b>304003</b>	<b>304004</b>		
c: Overall (mm)	87	62	37	12		
Interchangeable anvil	M3	M4	M5	M6		