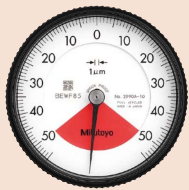




SERIES 1 — Compact One Revolution Type for Error-free Reading

- This series has been developed to eliminate the possibility of reading errors due to miscounting multiple revolutions.
- Compact dial indicators ideal for restricted-space applications in gaging jigs.
- Mitutoyo's unique shock-proof mechanism is incorporated, providing improved resistance to shock due to sudden spindle retraction caused by impact.
- The dead zone in red indicates "accuracy not guaranteed".
- One revolution type Back Plunger dial gages are also available. (Refer to pages F-55 to F-56 for details)

One revolution type Back plunger dial gages are also available. (Refer to pages F-55 to F-56 for details.)



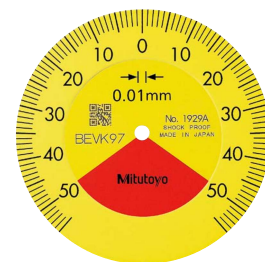
2990A-10



1929A



Balanced scale



Graduation: 0.01 mm,
Measuring range: 1 mm

1929A

One revolution

Shockproof

1929A-62

One revolution

Shockproof

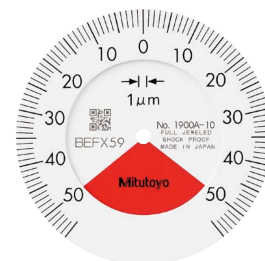
Dustproof



1900A-10



Balanced scale



Graduation: 0.001 mm,
Measuring range: 0.1 mm

1900A-10

One revolution

Shockproof

Jeweled bearing

1900A-72

One revolution

Shockproof

Dustproof

Jeweled bearing

Dial Indicators

FEATURES

Metric						
Order No.						
w/lug	Flat-back					
1929A	1929AB	✓	✓			✓
1929A-62	1929AB-62	✓	✓		✓	✓
1900A-10	1900AB-10	✓	✓	✓		✓
1900A-72	1900AB-72	✓	✓	✓	✓	✓

Inch						
Order No.						
w/lug	Flat-back					
1909A-62	1909AB-62	✓	✓		✓	✓
1910A-72	1910AB-72	✓	✓	✓	✓	✓

SPECIFICATIONS

Metric		ISO/JIS type									
Order No.		Graduation (mm)	Range (range/rev) (mm)	Maximum permissible error (MPE) (μm)				Hysteresis	Repeat-ability	Dial reading	Measuring force (N)
w/lug	Flat-back			Indication error			Measuring range				
				1/10 Rev	1/2 Rev	1 Rev					
1929A	1929AB	0.01	1 (1.4)	7	—	—	11	4	3	50-0-50	1.4 or less
1929A-62	1929AB-62	0.01	1 (1.4)	7	—	—	11	4	3	50-0-50	1.4 or less
1900A-10	1900AB-10	0.001	0.1 (0.14)	2.5	—	—	5	2	1	50-0-50	1.5 or less
1900A-72	1900AB-72	0.001	0.1 (0.14)	2.5	—	—	5	2	1	50-0-50	1.5 or less

Note: Completed products inspection is performed in the vertical orientation (contact point downward) and the stated accuracy is guaranteed.

Inch		ANSI/AGD type								
Order No.		Graduation (in)	Range (range/rev) (in)	Accuracy (in)			Repeat-ability (in)	Dial reading	Measuring force (N)	
w/lug	Flat-back			First 1 Rev	2.5 Rev/10 Rev	Retrace				
1909A-62	1909AB-62	0.0005	0.04 (0.056)	±0.0005/—/—	0.00016	±0.0001	20-0-20	1.4 or less		
1910A-72	1910AB-72	0.0001	0.006 (0.008)	±0.0001/—/—	0.0001	±0.00003	3-0-3	1.5 or less		

Note: Completed products inspection is performed in the vertical orientation (contact point downward) and the stated accuracy is guaranteed.

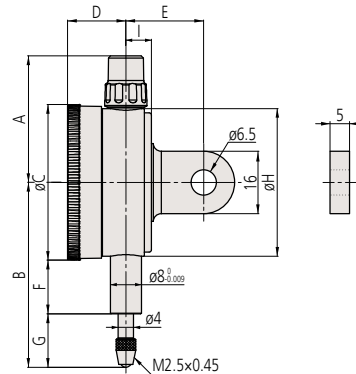
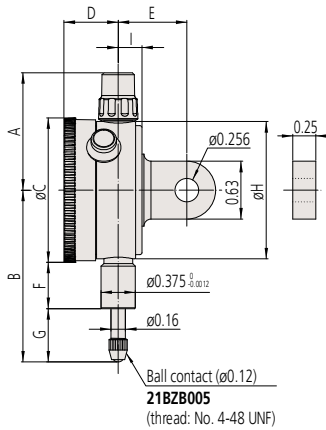
DIMENSIONS

ANSI/AGD Type

Unit: in

ISO/JIS Type

Unit: mm



Order No.	A	B	C	D	E	F	G	H	I	Mass (g)	
										w/lug	Flat-back
1909A-62	1.28	1.64	1.57	0.59	0.75	0.50	0.35	1.50	0.26	90	70
1910A-72	1.28	1.61	1.57	0.59	0.75	0.50	0.31	1.50	0.26	90	70

Note: Refer to pages F-57 to F-60 for details of contact points.

Order No.	A	B	C	D	E	F	G	H	I	Mass (g)	
										w/lug	Flat-back
1929A	32.5	47.5	40	15	20	13.8	13.7	38	6.6	90	70
1929A-62	32.5	47.5	40	15	20	13.8	13.7	38	6.6	90	70
1900A-10	32.5	53.5	40	15	20	13.8	19.7	38	6.6	95	75
1900A-72	32.5	53.5	40	15	20	13.8	19.7	38	6.6	95	75

Note: Refer to pages F-57 to F-60 for details of contact points.

Optional Accessories

- Limit hand (2 pcs.): 21AAB363



- Bezel clamp: 21RZA149