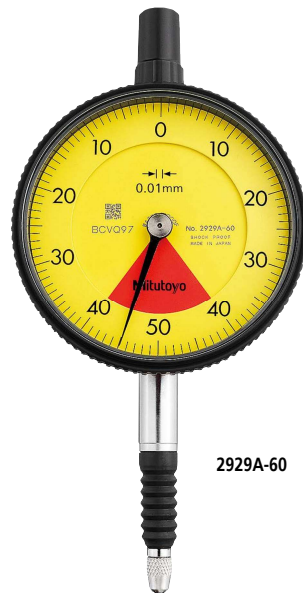


SERIES 2 — Standard One Revolution Type for Error-free Reading, Water-proof Type

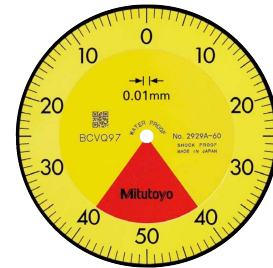
- This series has been developed to eliminate the possibility of reading errors due to miscounting multiple revolutions.
- Mitutoyo's unique shock-proof mechanism is incorporated, providing improved resistance to shock due to sudden spindle retraction caused by impact.
- The bezel clamp and lifting lever (optional) can be attached to either the right or left side. These parts can be easily installed and removed without tools.
- The stem and spindle are made of high-strength quench-hardened stainless steel suitable for heavy-duty use.
- A carbide contact point is used.
- Application of an anti-reflective and hard surface coating improves scale visibility along with scratch and chemical resistance.
- The dead zone in red indicates "accuracy not guaranteed".



2929A-60



Balanced scale



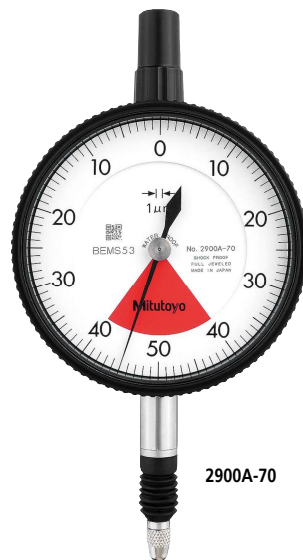
Graduation: 0.01 mm,
Measuring range: 0.8 mm

2929A-60

One revolution

Shockproof

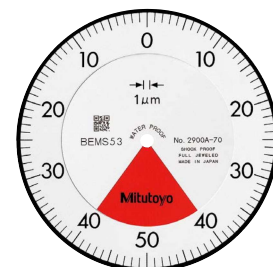
Waterproof



2900A-70



Balanced scale



Graduation: 0.001 mm,
Measuring range: 0.08 mm

2900A-70

One revolution

Shockproof

Waterproof

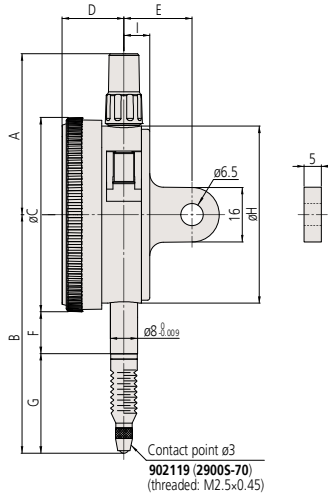
Jeweled bearing

Dial Indicators

DIMENSIONS

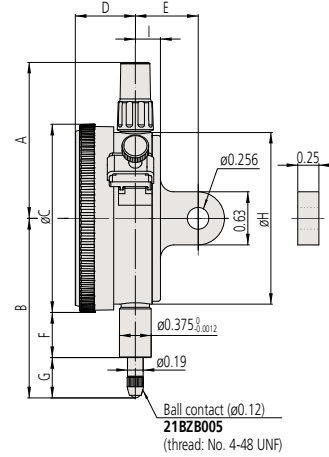
ISO / JIS Type

Unit: mm



ANSI / AGD Type

Unit: in



Order No.	A	B	C	D	E	F	G	H	I	Mass (g)	
										w/lug	Flat-back
2929A-60	47.2	70	57	18.1	20	12.3	29.2	52	7.6	146	137
2900A-70	47.2	67	57	18.1	20	12.3	26.2	52	7.6	150	141

Note: Refer to pages F-57 to F-60 for details of contact points.

Order No.	A	B	C	D	E	F	G	H	I	Mass (g)	
										w/lug	Flat-back
2910A-72	1.86	2.02	2.24	0.71	3/4	0.54	0.36	2.05	0.30	150	141

Note: Refer to pages F-57 to F-60 for details of contact points.

FEATURES

Metric

Order No.							
w/lug	Flat-back	2929A-60	2929AB-60	2900A-70	2900AB-70	2910A-72	2910AB-72
2929A-60	2929AB-60	✓	✓	✓	✓	✓	✓
2900A-70	2900AB-70	✓	✓	✓	✓	✓	✓

SPECIFICATIONS

Metric

ISO/JIS type

Order No.		Graduation (mm)	Range (range/rev) (mm)	Maximum permissible error (MPE) (μm)						Dial reading	Measuring force (N)
w/lug	Flat-back			Indication error			Hysteresis	Repeatability			
				1/10 Rev	1/2 Rev	1 Rev			Measuring range		
2929A-60	2929AB-60	0.01	0.8 (1)	5	—	—	8	3	3	40-0-40	2.0 or less
2900A-70	2900AB-70	0.001	0.08 (0.1)	2	—	—	3	2	0.5	40-0-40	2.0 or less

Note: Completed products inspection is performed in the vertical orientation (contact point downward) and the stated accuracy is guaranteed.

Inch

Order No.							
w/lug	Flat-back	2910A-72	2910AB-72				
2910A-72	2910AB-72	✓	✓	✓	✓	✓	✓

Inch

ANSI/AGD type

Order No.		Graduation (in)	Range (range/rev) (in)	Accuracy (in)			Repeatability (in)	Dial reading	Measuring force (N)
w/lug	Flat-back			First 1 Rev/2.5 Rev/10 Rev		Retrace			
				±0.0001	—/—				
2910A-72	2910AB-72	0.0001	0.008/0.01	±0.0001	—/—	0.0001	±0.00003	4-0-4	2.5 or less

Note: Completed products inspection is performed in the vertical orientation (contact point downward) and the stated accuracy is guaranteed.

Optional Accessories

- Limit hand (2 pcs.): 21AZB195



- Bezel clamp: 21AZB148 (for metric type)
21RZA065 (for inch type)



21AZB148