

Micrometer

"Uni-Mike" SERIES 317, 117 — Interchangeable Anvil Type

- A selection of interchangeable anvils (rod anvils and V-anvils) enables measurement of tube thickness, rivet head height and similar features just by replacing the anvil to suit.
- IP65 water/dust protection (**series 317**).
- Equipped with Ratchet Stop for constant measuring force.

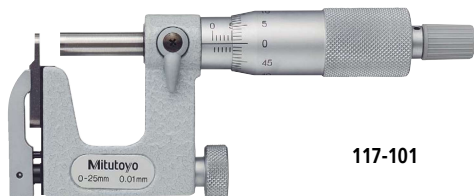


317-251-30

SPECIFICATIONS

Metric					
Order No.	Range (mm)	Resolution (mm)	Spindle feed error (μm)	Flatness (μm)	Parallelism (μm)
Digimatic (LCD)					
317-251-30	0 - 25	0.001	3	0.6 (Spindle face)/ 2 (Anvil face)	3
317-252-30	25 - 50				
Inch / Metric					
Order No.	Range (in)	Resolution	Spindle feed error (in)	Flatness (in)	Parallelism (in)
Digimatic (LCD)					
317-351-30	0 - 1	0.00005 in/0.001 mm	0.00015	0.000024 (Spindle face)/ 0.00008 (Anvil face)	0.00012
317-352-30	1 - 2				

- Battery: SR44 (1 pc.), **938882**, for initial operational checks (standard accessory)
 - Battery life: Approx. 2.4 years under normal use
 - Length standard: Electromagnetic rotary sensor
 - Standard accessories: Setting standard, 1 pc. (except for measuring range 0 to 25 mm (0 to 1 in) models) Spanner (**301336**), 1 pc.
- Note: For functional details, refer to page B-7
Optional connecting cable is available only for water-proof type (Digimatic model).



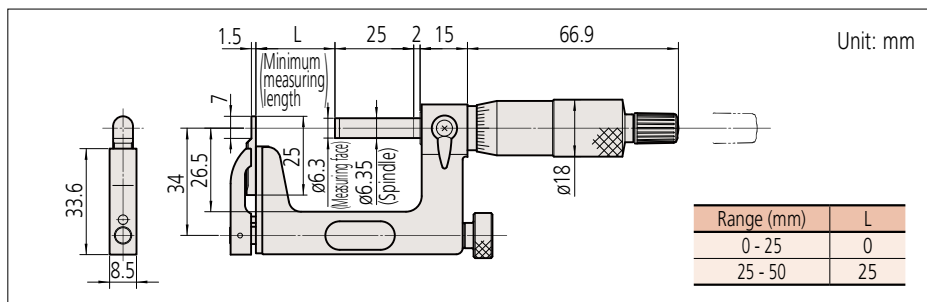
117-101

SPECIFICATIONS

Metric					
Order No.	Range (mm)	Graduation (mm)	Spindle feed error (μm)	Flatness (μm)	Parallelism (μm)
Analog					
117-101	0 - 25	0.01	3	0.6 (Spindle face)/ 2 (Anvil face)	3
117-102	25 - 50				
Inch					
Order No.	Range (in)	Graduation (in)	Spindle feed error (in)	Flatness (in)	Parallelism (in)
Analog					
117-107	0 - 1	0.0001	0.00015	0.000024 (Spindle face)/ 0.00008 (Anvil face)	0.00012
117-108	1 - 2				

- Standard accessories: Setting standard, 1 pc. (except for measuring range 0 to 25 mm (0 to 1 in) models), Spanner (**200877**), 1 pc.

DIMENSIONS



MeasurLink[®] ENABLED
Data Management Software by Mitutoyo

U-WAVE fit

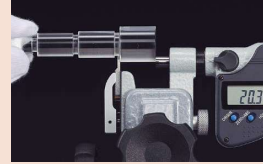
IP 65

TÜV Rheinland
CERTIFIED

Dust and
Water-
Protected
www.tuv.com
ID: 0000010191

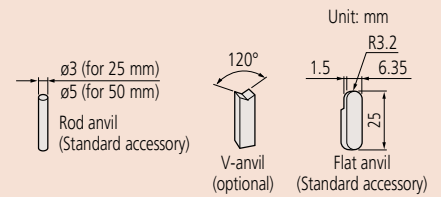
Applicable models: **series 317**

Measurement example



Optional Accessories

Order No.	Type	Description
05CZA662	B	Connecting cable (1 m)
05CZA663	B	Connecting cable (2 m)
06AFM380B	B	USB Input Tool Direct (2 m)
02AZD790B	B	Connecting cables for U-WAVE-T (160 mm)
02AZE140B	B	Connecting cables for U-WAVE-T For foot switch
264-622	IP67	U-WAVE-TM
264-623	Buzzer	U-WAVE-TM
264-626	IP67	U-WAVE-TMB
264-627	Buzzer	U-WAVE-TMB
02AZF310	IP67/ buzzer	Connecting unit for U-WAVE-TM/TMB



Order No.	Item
201216	Flat anvil (standard accessory)
201217	Rod anvil (standard accessory for 117-101/117-107/317-251-30/317-351-30)
201379	Rod anvil (standard accessory for 117-102/117-108/317-252-30/317-352-30)
201218	V-anvil (optional)
950758	Round Base for series 117 , for 0-25 mm $\phi 58 \times 14.2$ mm (optional)